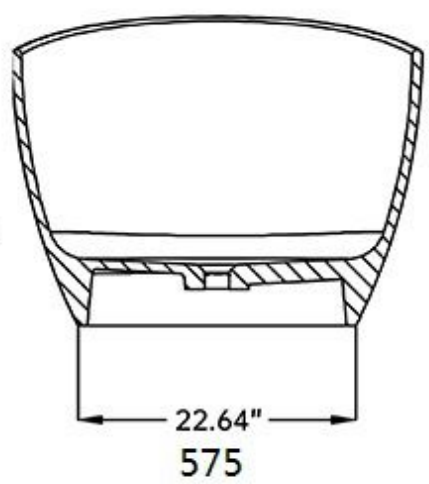
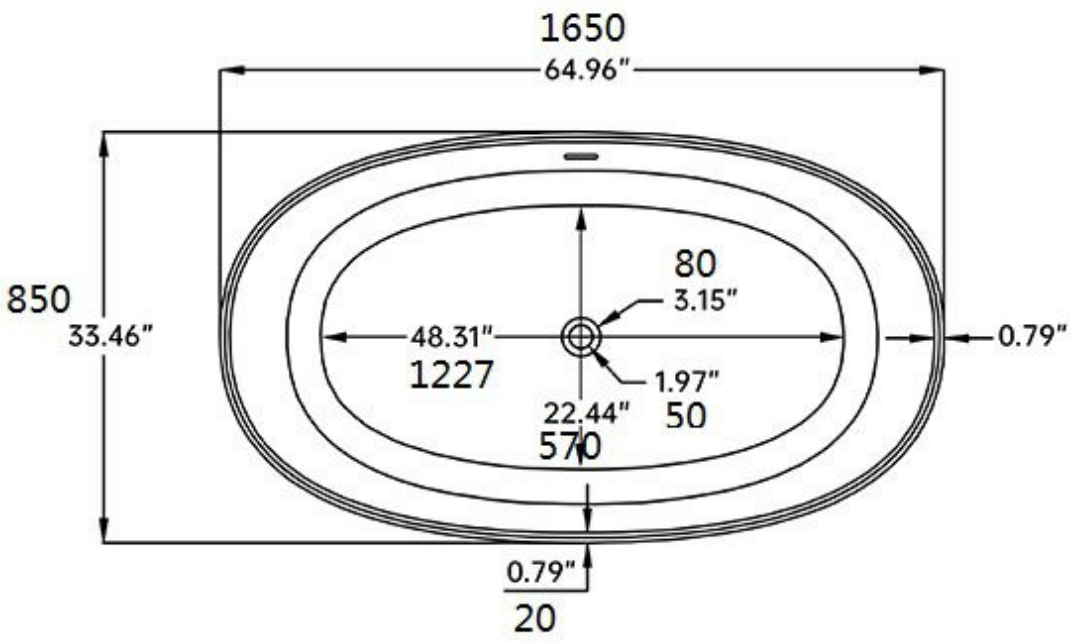
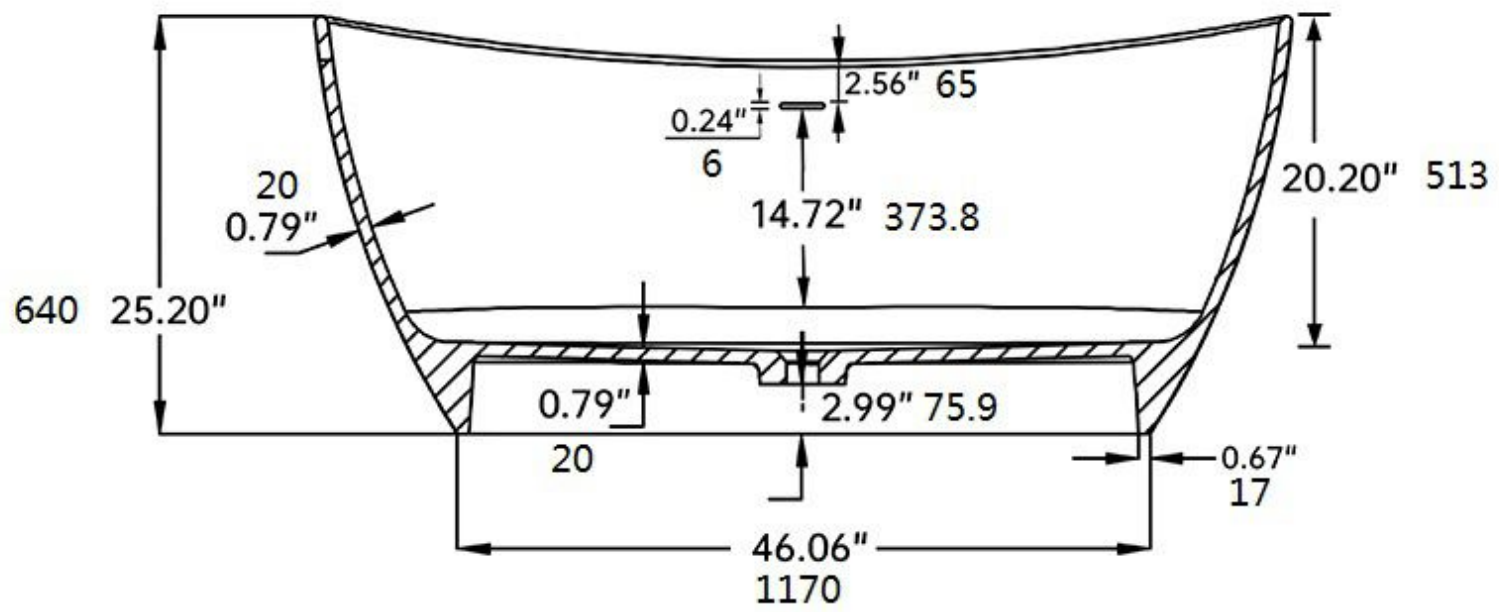


Unit: MM

Unit: inch(with ")



12.7MM

Manual measurements of all dimensions may have minor deviations (Tolerance: +0.5")